



DESKLIFT[™] DL6 IC

Data sheet

DESKLIFT™ DL6 IC

The DESKLIFT™ DL6 IC (Integrated Controller) is a compact 3-part lifting column, based on our well-known DL6 column. The DL6 IC is a perfect choice for adjustable economy office desks only using 2 columns but needing the maximum adjustment range. The DL6 IC lifting column has the same outer dimensions and mounting holes as the 2-part DL5 IC column. Thus, they can be used in the same tabletop and table foot construction. For benching desk solutions, the column is available with a bench bracket. The DL6 IC column is very sturdy, and the compact motor housing makes the column easy to integrate in various desk designs.

The DL6 IC column is available in three standard colours (black, grey and white) - and can optionally be delivered in other colours. The DL6 IC can also be delivered with invisible gliding pads for a clean design.

An IC system consists of two columns, a master column and a follower column connected via a motor cable. The master column has a built-in control PCB; thus, no separate control box must be mounted in an IC system. The mains supply is an external SMPS (Switch Mode Power Supply) unit, and a variety of desk panels can be used for adjusting the desk.



Features:

- Compact design where guide and actuator function are an integrated unit
- Reinforced column and optimised motor housing design for extra strength and stability
- Max. load: 500 N per column
- Max. speed: 38 mm/s unloaded
- Installation dimension: 560 mm
- Stroke length: 518 mm (BIFMA)
650 mm
665 mm (BIFMA)
- Weight: Approximately 7.5 kg per column
- Dimensions column: 50 x 80 mm (outer profile),
43.5 x 73.5 mm (middle profile) and 37 x 67 mm (inner profile)
- Dimension motor housing: 177 x 97 x 46 mm
- Colour: Available in black (RAL 9005), silver grey (RAL 9006)
or white (RAL 9016)
- Low noise level

Options:

- Available with bench bracket
- PLUS™: No visible gliding pads

Usage:

- 2 parallel drive with one DL6 IC master, one DL6 IC follower, and an external power supply SMPS001 (230 V), SMPS002 (120 V) or SMPS006 (Universal)
- Duty cycle: 10 % ≈ 2 minutes continuous use at full load, followed by 18 minutes pause
- Ambient temperature: 10 to 40 °C
- Storage and transportation temperature: -10 to +70 °C
- Compatible with DESKLINE® controls
- Compatible with the Kick & Click™ mounting solution
- Compatible with DESKLIFT™ Feet
- System compliance, see the Declaration of Conformity in the User Manual



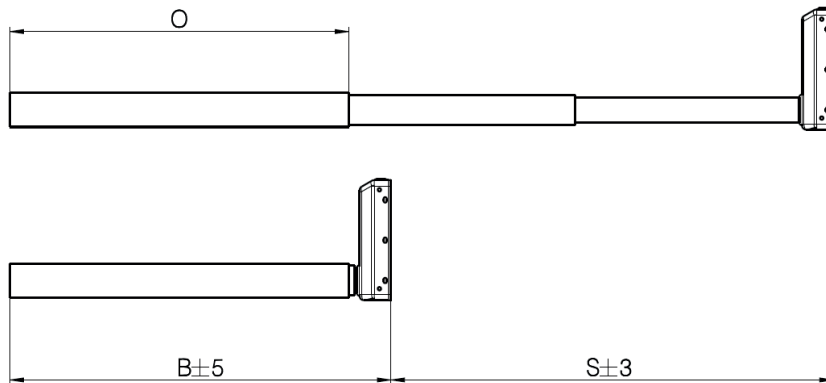
Be aware that when using a desk panel with display, the light intensity must be configured to 50% before use.

With a fully retracted length of 560 mm and a stroke length of 650 mm, it is possible for a standard system to obtain an adjustment range of the tabletop of e.g. 600 – 1250 mm. Thus, the desk can be used for sitting as well as for standing types of work.

Dimensional drawings

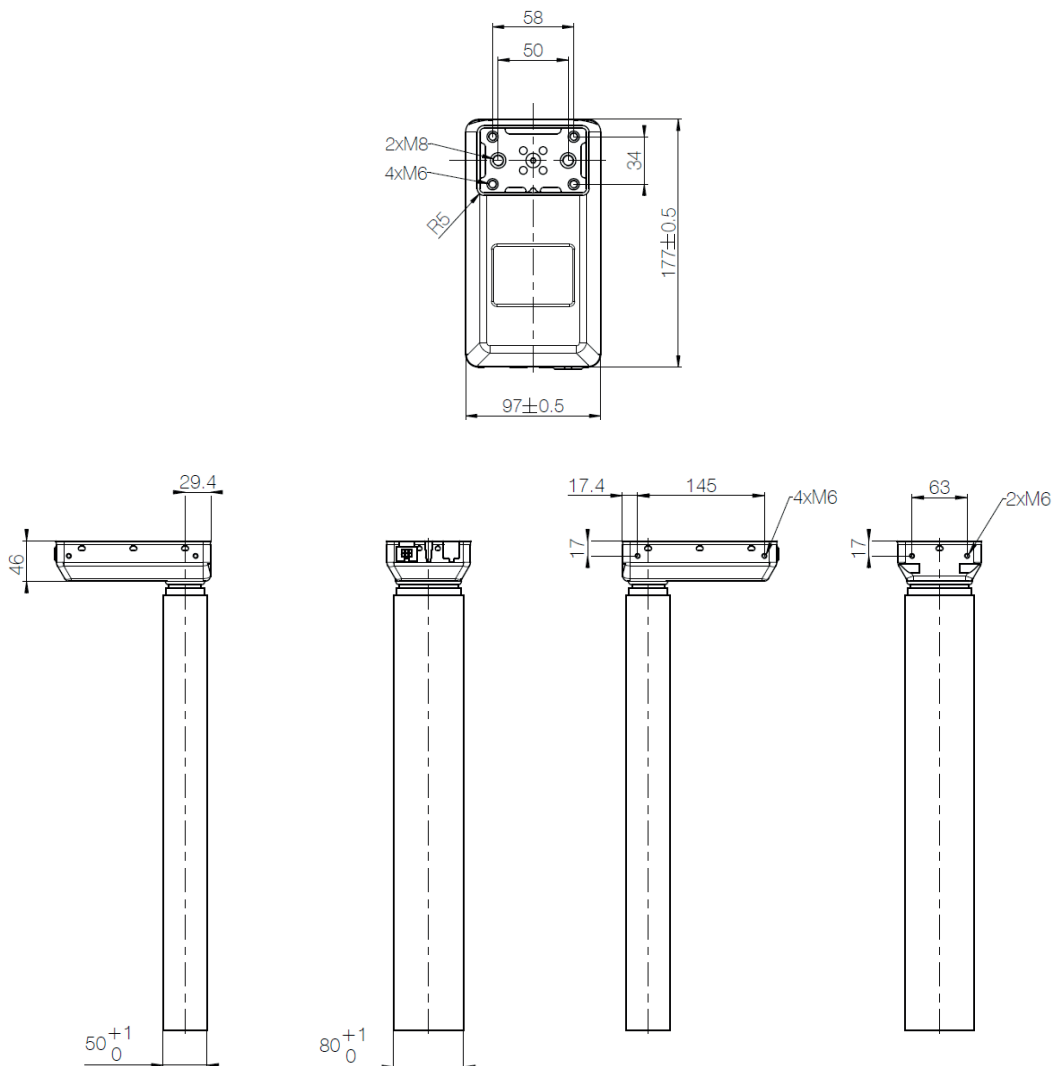


All measurements are without powder coating.



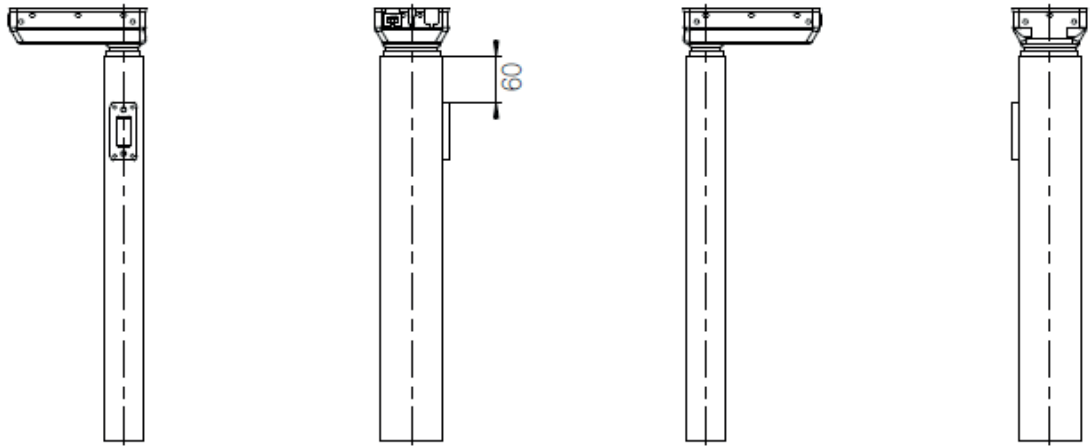
Version	Combination code	B (Built-in length) [mm]	S (Stroke length) [mm]	O (Outer profile length) [mm]
EU	DL6xxxxx650560	560	650	498
BIFMA	DL6xxxxx665518	518	665	456

DL6 built-in length, stroke length and outer profile length (mm)

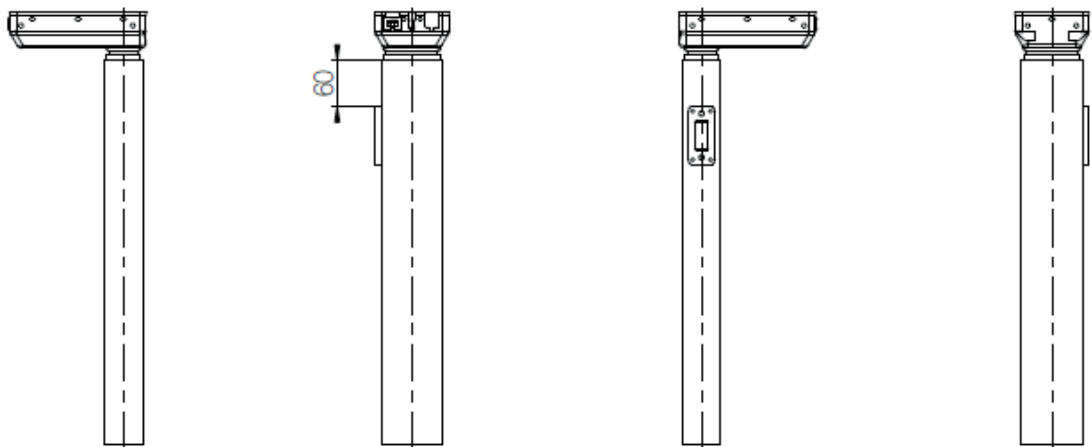


DL6 motor housing and profile dimensions (mm)

Bench left

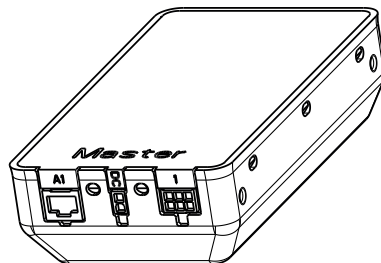


Bench right

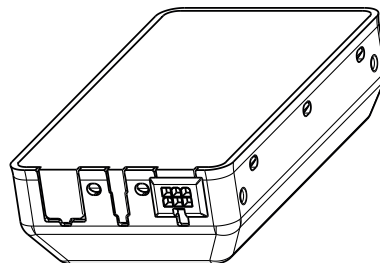


Combination code	Bench left	Bench right
DL6xxLxxSxxxxxx	X	
DL6xxRxxMxxxxxx		X

Bracket options (dimensions in mm)



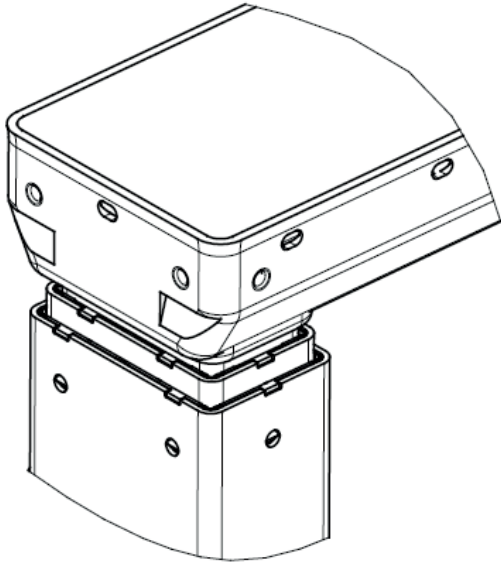
IC Master



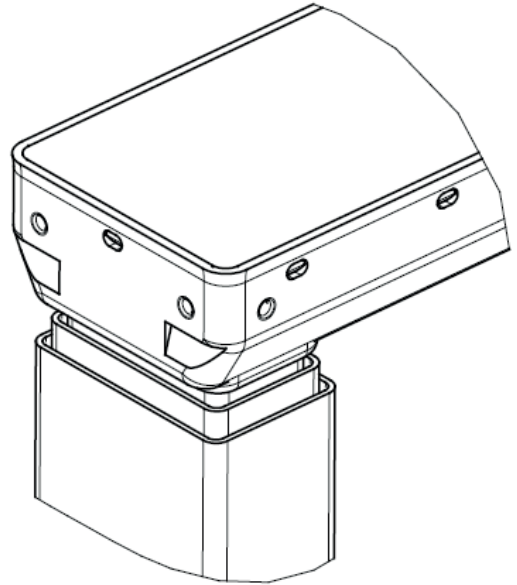
IC Follower

Combination code	Type
DL6xxxxxMxxxxxx	IC Master
DL6xxxxxSxxxxxx	IC Follower

Socket combination

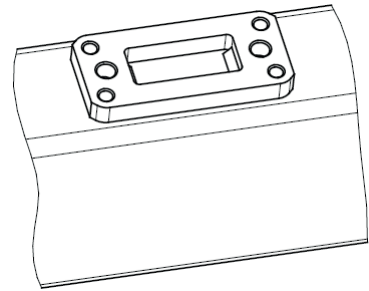
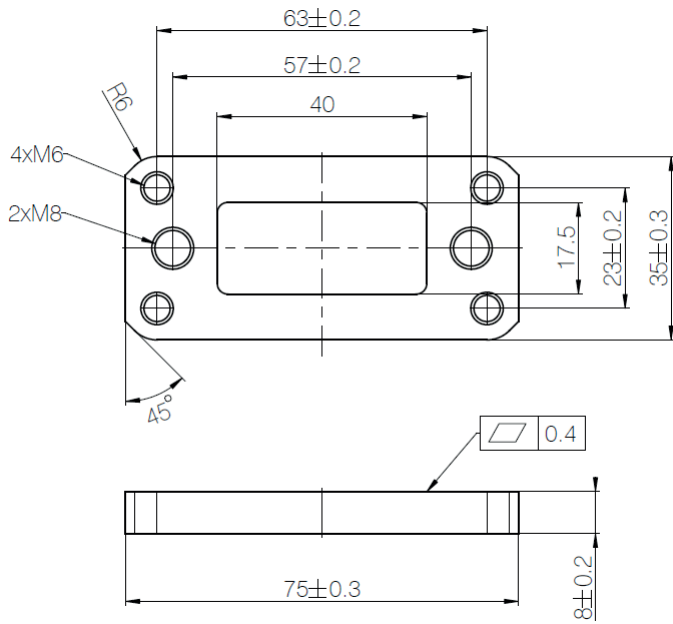


Standard



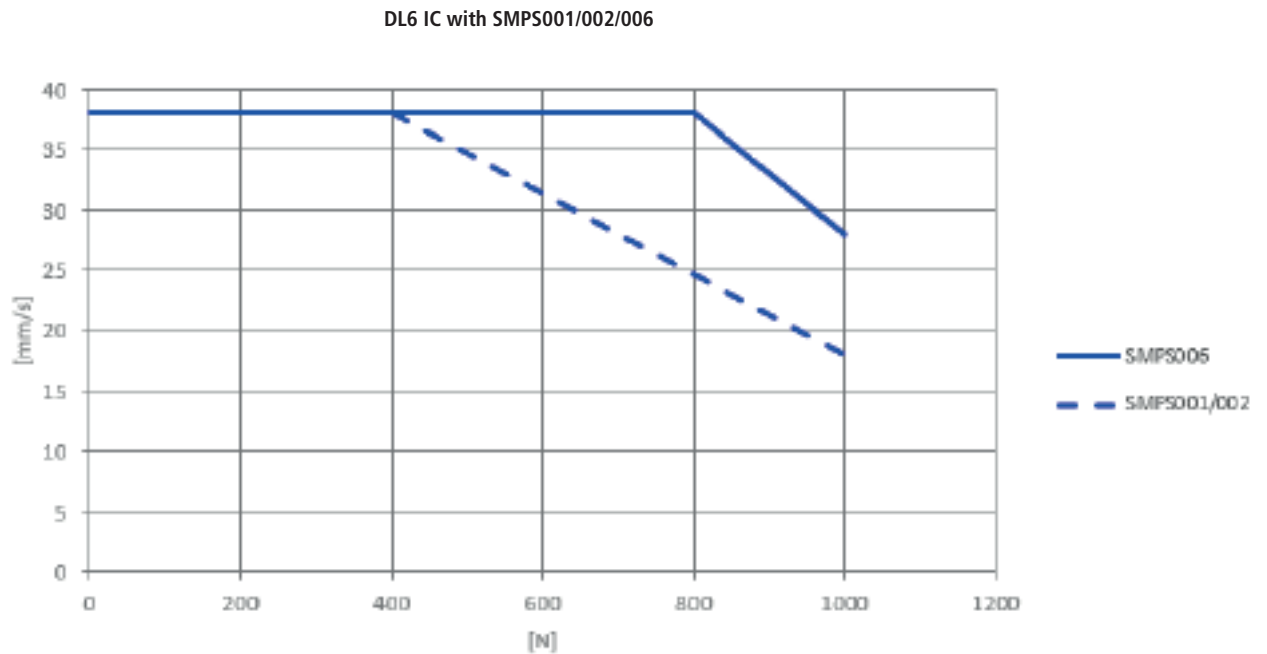
PLUS™

Profile designs



Bench bracket dimensions (mm)

Performance curve



Two DL6 IC (equally loaded) with SMPS001/002/006

The data above is measured in connection with two DL6 IC lifting columns and SMPS001/002/006.
The desk is driving upwards.



The curves above apply to a centrally placed load. With moment load, there will be increased friction in the columns, which will reduce the lifting force correspondingly.

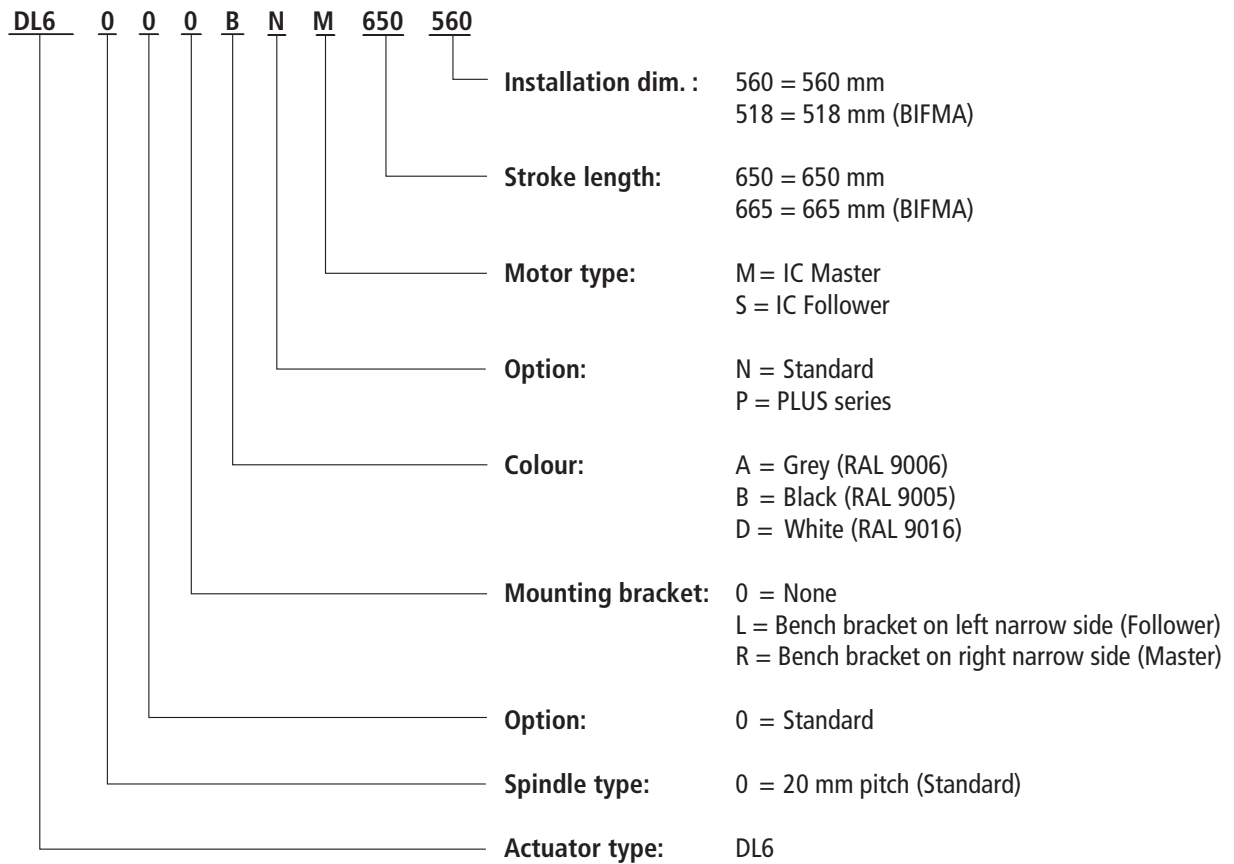


The end-stop system in the DL6 IC is based on a buffer system, meaning that you must be aware of the lengths when initialising. The products must be able to drive:

Inward direction: Installation dimension - tolerances - 5 mm
Outward direction: Installation dimension + stroke length + tolerances + 5 mm

DL6 IC

Ordering example:



All cables for creating a fully connected DESKLINE system must be ordered separately. We offer a range of different versions and lengths. For information such as ordering number, colour and cable lengths, please contact your local LINAK.



Please observe that the item numbers for columns with bench bracket will be created so that the master column will be on the right and the follower column on the left side of the desk, seen from the position of the user.

LINAK® accepts no responsibility for possible errors or inaccuracies in catalogues, brochures, and other material. LINAK reserves the right to change its products without prior notice. LINAK cannot guarantee product availability and reserves the right to discontinue the sale of any product. The user is responsible for determining the suitability of LINAK products for a specific application. All sales are subject to the 'Standard Terms of Sale and Delivery', available on LINAK websites.

LINAK and the LINAK logotype are registered trademarks of LINAK A/S. All rights reserved.